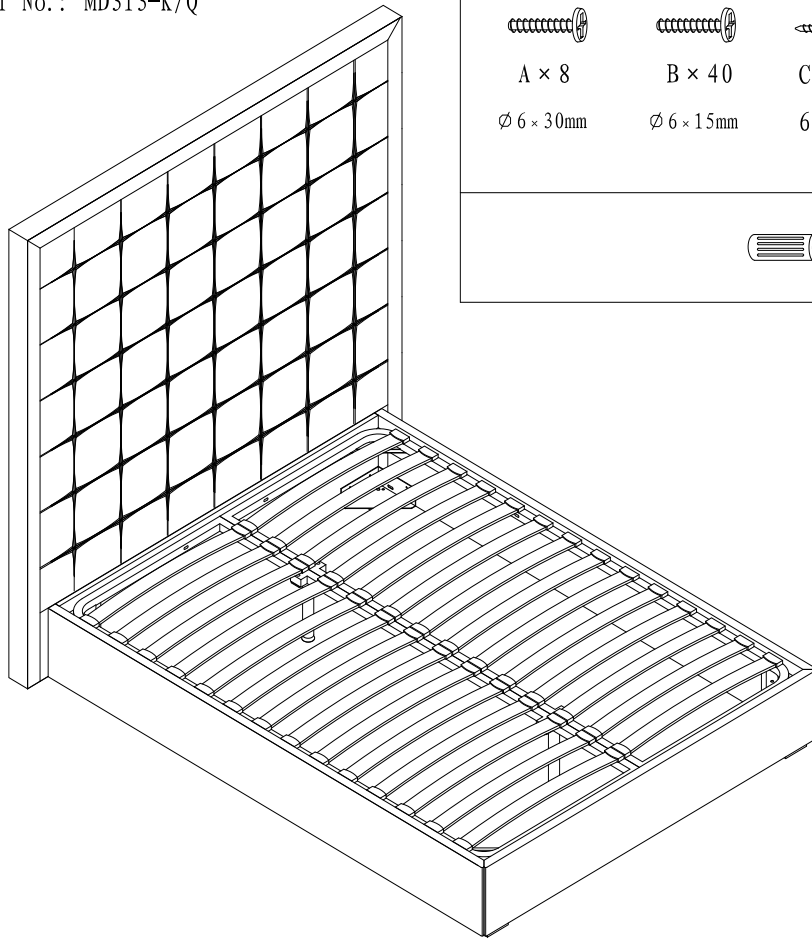
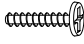
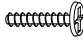



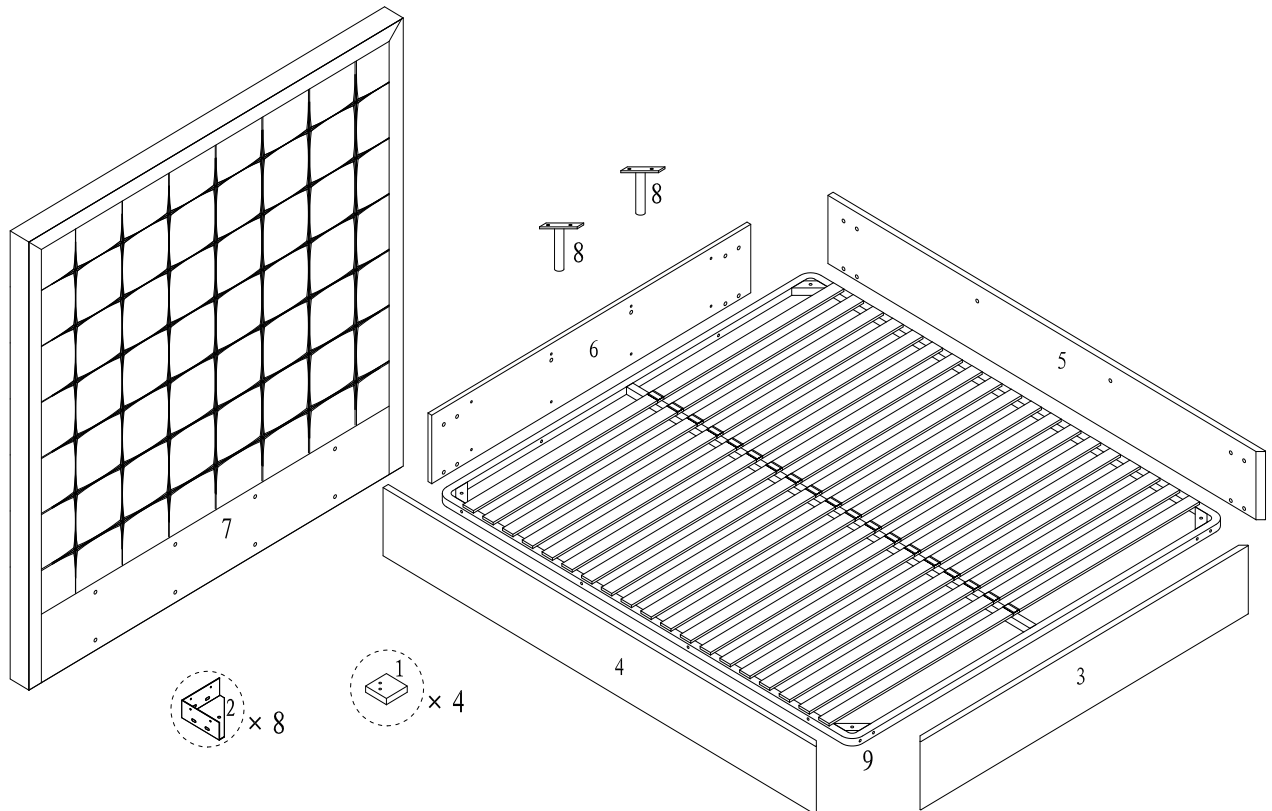
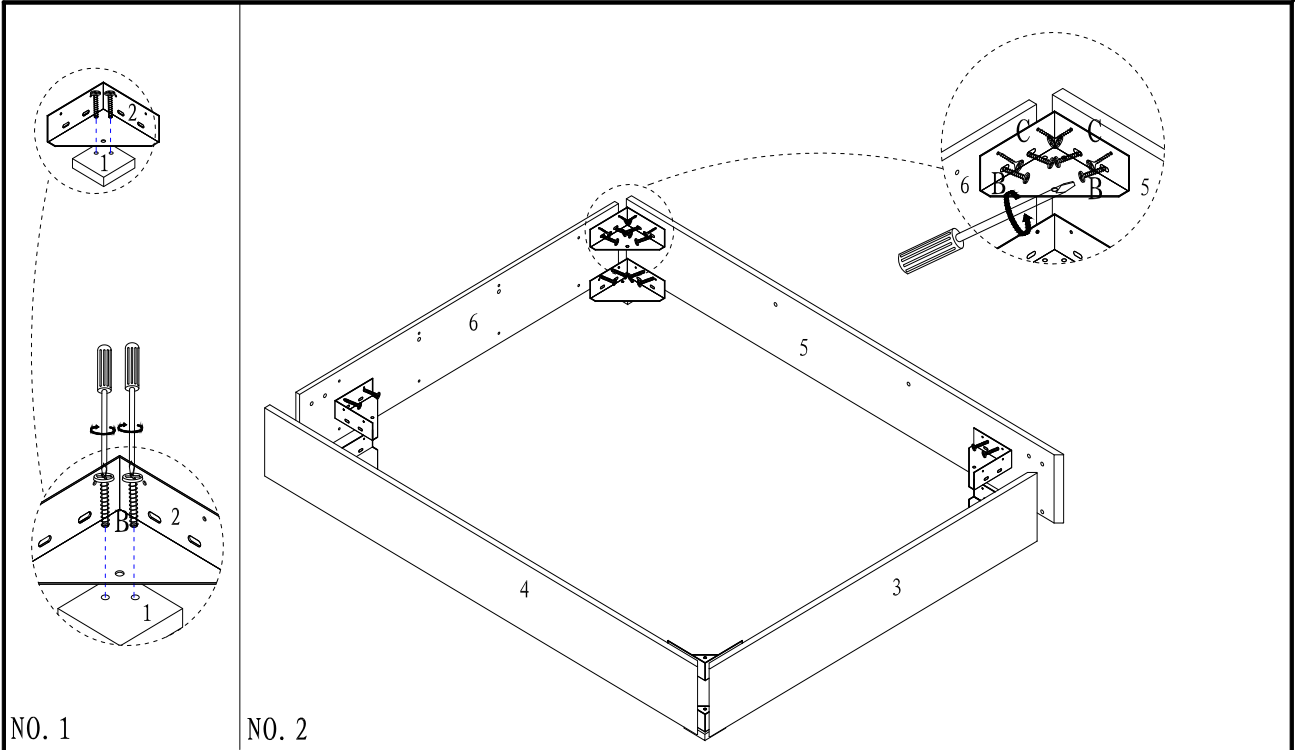


Model No. : MD313-K/Q



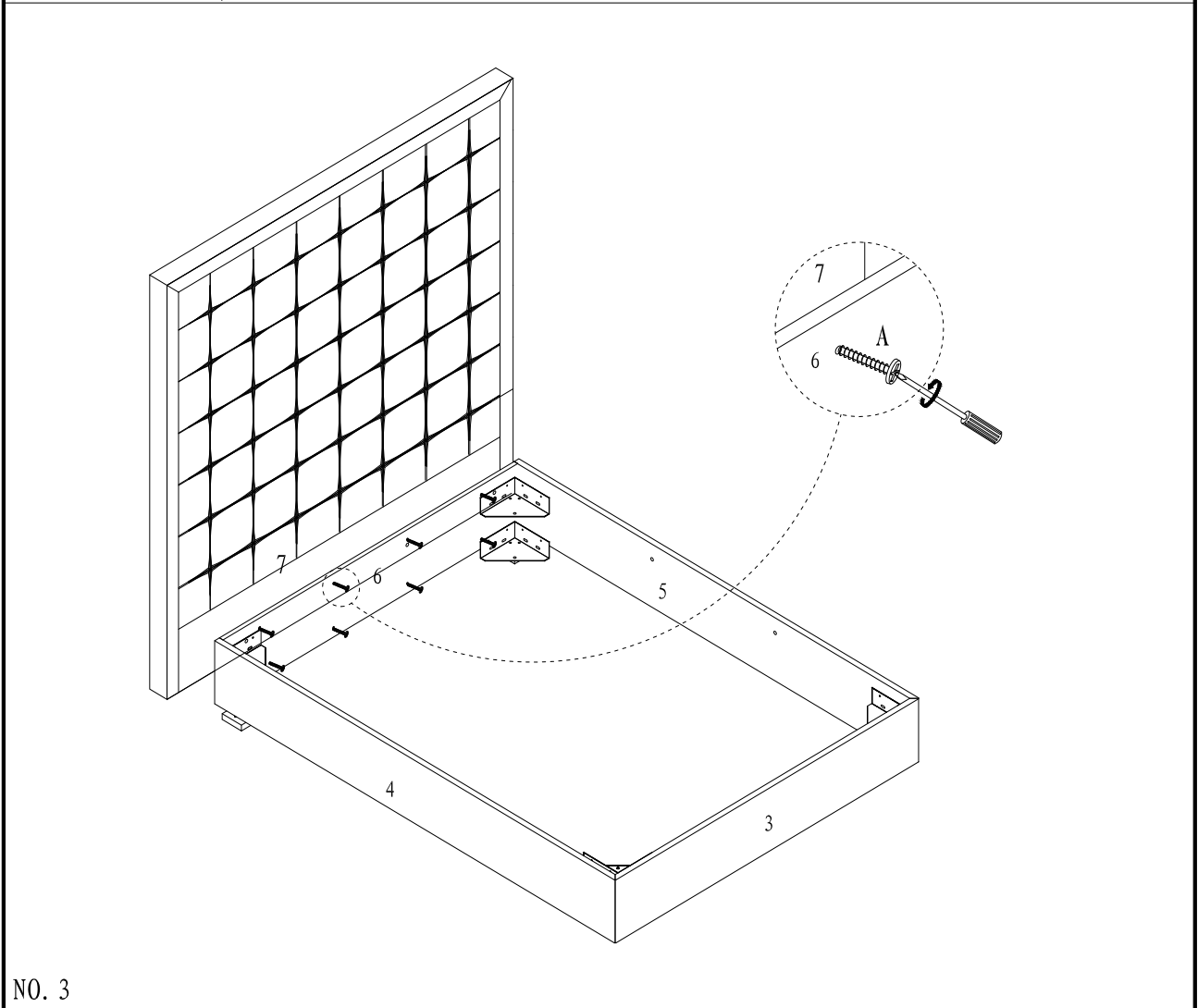
				
A × 8	B × 40	C × 32	D × 8	E × 8
∅ 6 × 30mm	∅ 6 × 15mm	6/8"	∅ 6 × 50mm	∅ 30 × 5mm





NO. 1

NO. 2



NO. 3

