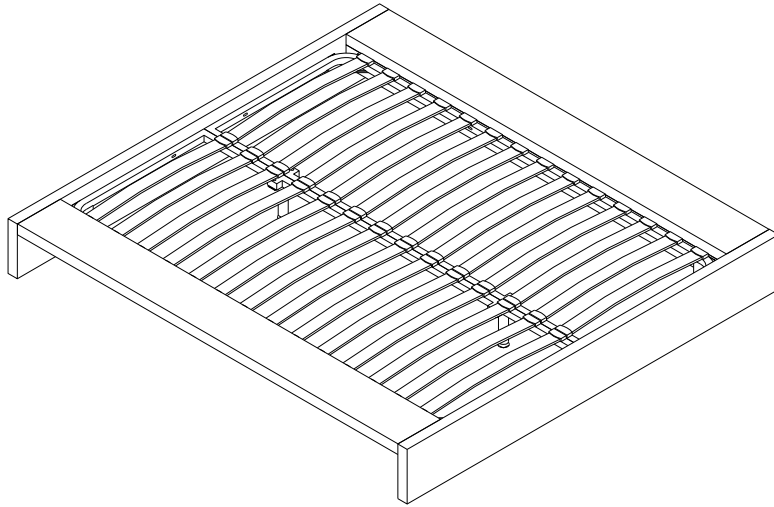
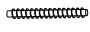





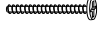

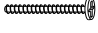
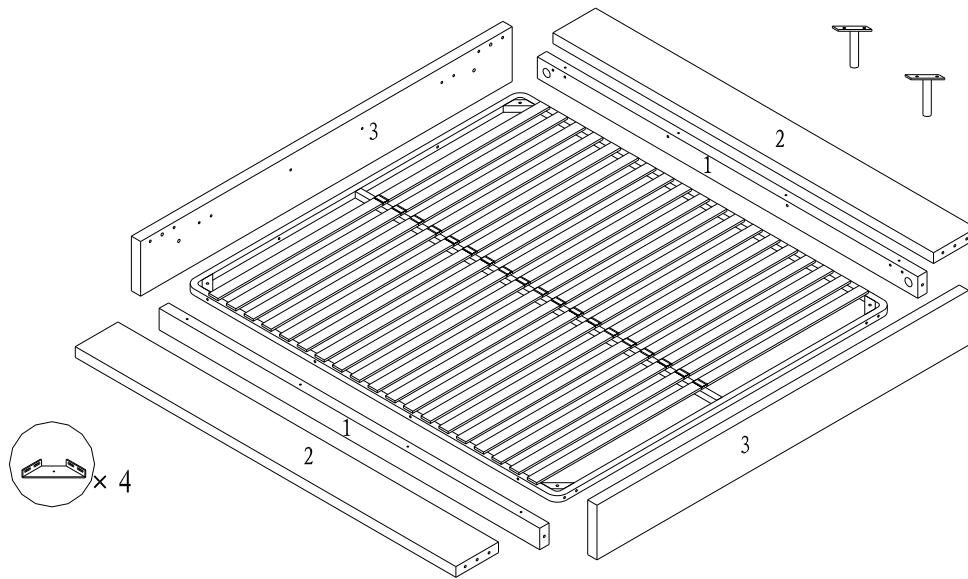
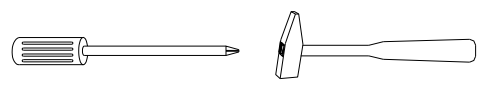
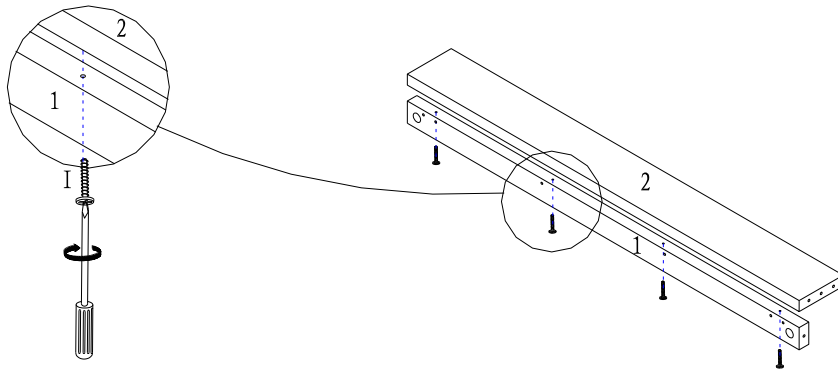


Model No: MD-311

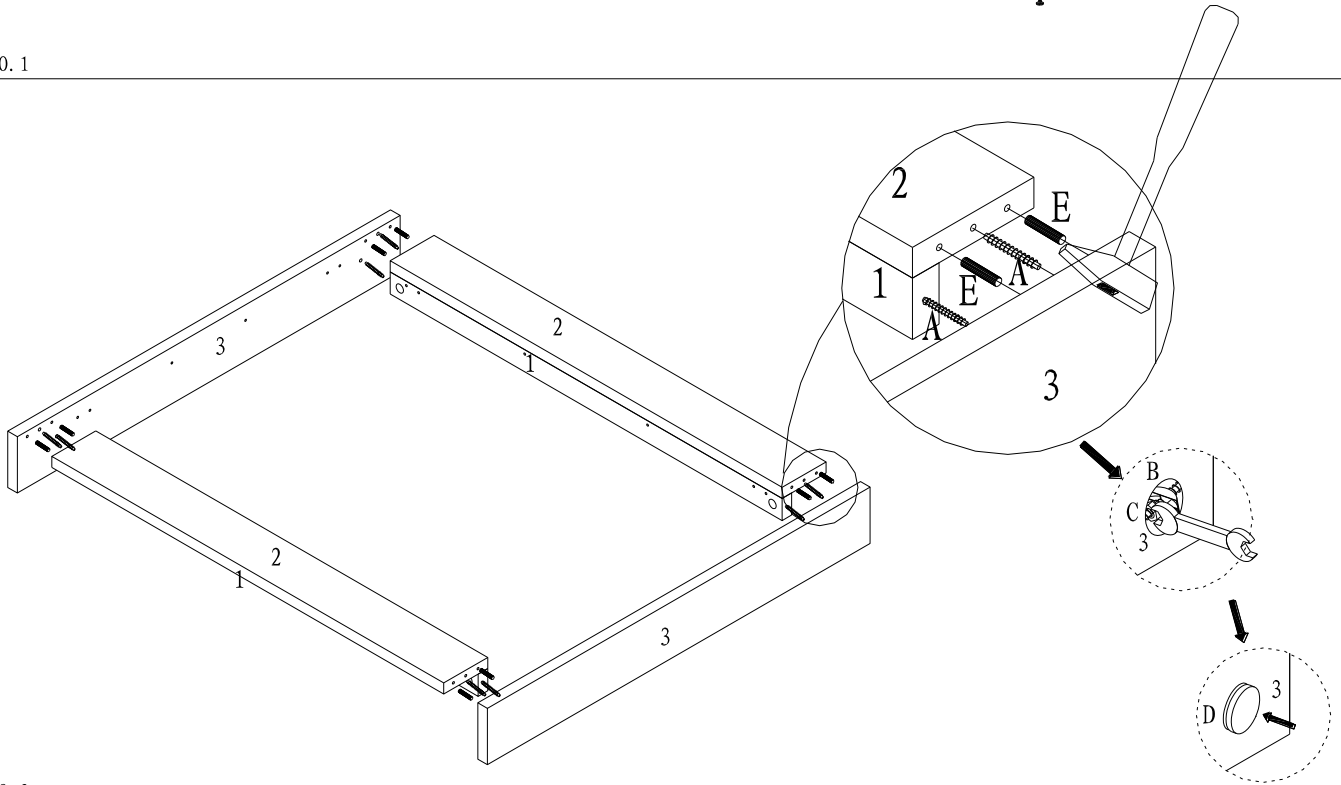


- | | | | |
|--|--|---|---|
| 
A × 8
∅8 × 75mm | 
B × 8
∅8 × 75mm | 
C × 8
∅8 × 75mm | 
D × 8
∅8 × 75mm |
| 
E × 8
∅10 × 40mm | 
F × 16
∅6 × 15mm | 
G × 8
∅6 × 50mm | 
H × 8
∅30 × 5mm |
| 
I × 8
∅6 × 80mm | | | |

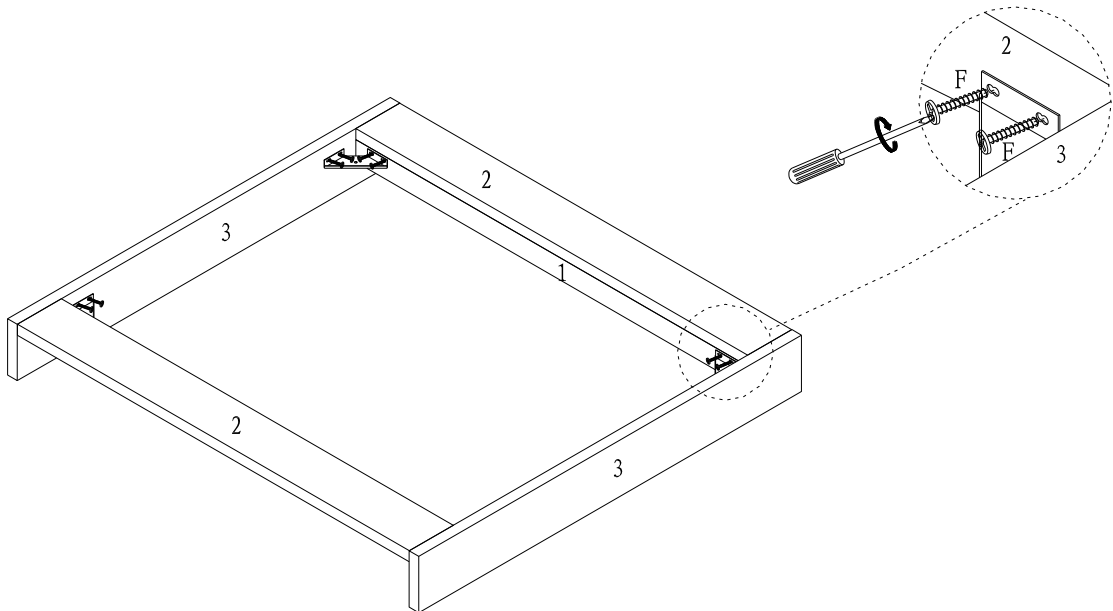




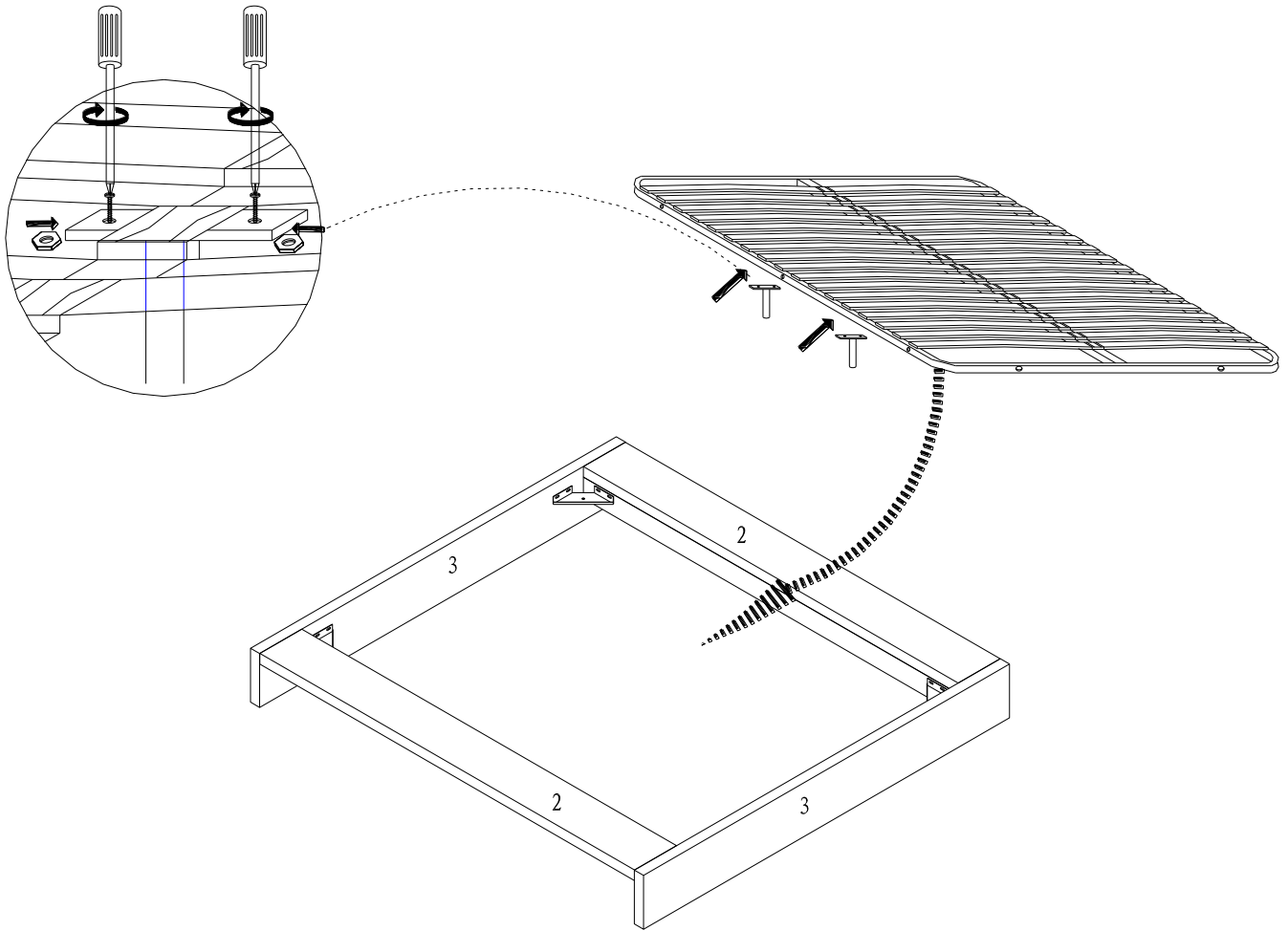
NO. 1



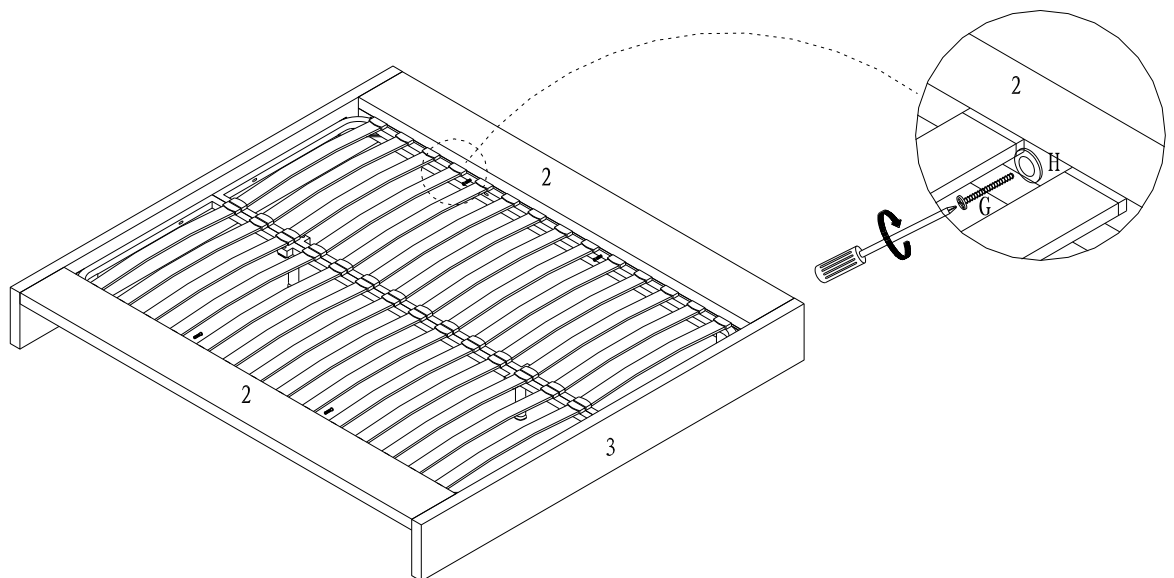
NO. 2



NO. 3



NO. 4



NO. 5